

HEAT SINK SSR-OCR-R1

Efficient Cooling Solutions for OCR Series Solid State Relays (10A and 25A)



Specially designed heat sinks for OCR Series Single-Phase AC Solid State Relays, ensuring safe and reliable operation under various load conditions.

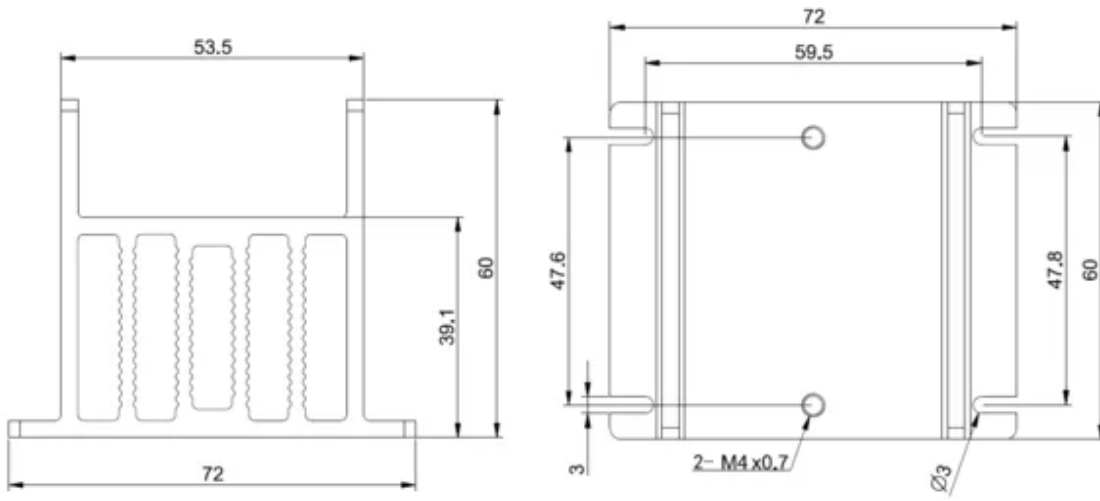
The HEAT SINK SSR-OCR-R1 is specifically designed for use with the SSR OCR D32-A480-10-ZL and SSR OCR D32-A480-25-ZL solid state relays. Engineered to provide effective natural convection cooling, it supports load currents up to 25A, ensuring reliable thermal management in compact installations. With a thermal resistance of 2.19°C/W, this heat sink efficiently dissipates heat, extending the lifespan and maintaining the performance of your solid-state relay. Its robust construction and precise dimensions allow for easy integration into control panels and industrial systems, making it an ideal choice for applications where space and passive cooling are priorities.

ORDER DETAILS

Function: Efficient heat dissipation, supports high current loads, enables safe relay operation, matches specific relay models, easy installation, robust construction.

SKU/Order No.: SA-SSRB-R1

Mechanical Dimensions



Technical Data

Dimensions

Width (mm)	72
Depth (mm)	60
Height (mm)	60

Mechanical Data

Housing	Aluminum alloy
Cooling Method	Natural convection
Connector	2 × M4, 60 mm apart (center to center)

Characteristics

Relay Type	SSR OCR D32-A480-10-ZL, SSR OCR D32-A480-25-ZL
Thermal Resistance	2.19°C/W