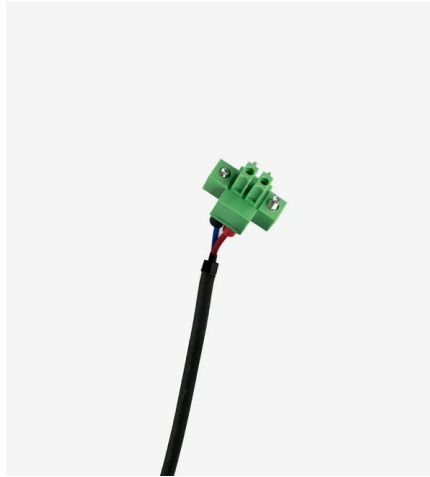


POWER DESKTOP 12-4 P

Compact Desktop Power Supply (external AC-DC adapter) with 2-pin pluggable terminal block, 12V, 48W



Rugged 48W desktop power supply with universal AC input (100-240V) and 12V/4A DC output via 2-pin pluggable terminal block, featuring IEC C14 inlet for detachable EU cords.

Designed for industrial automation applications, this external power supply converts standard mains AC power (100-240V, 50Hz, up to 1.5A) to stable 12V DC at 4A (48W total), using a robust plastic enclosure with Schuko AC plug compatibility via IEC 60320 C14 inlet. The 2-pin pluggable terminal block that locks securely to prevent disconnections from vibrations or cable strain and ensures secure low-voltage delivery to devices such as industrial panel PCs or network switches, supporting reliable operation in control cabinets or workstations. Built for durability, it handles variable global voltages without switches, making it versatile for a variety of setups.

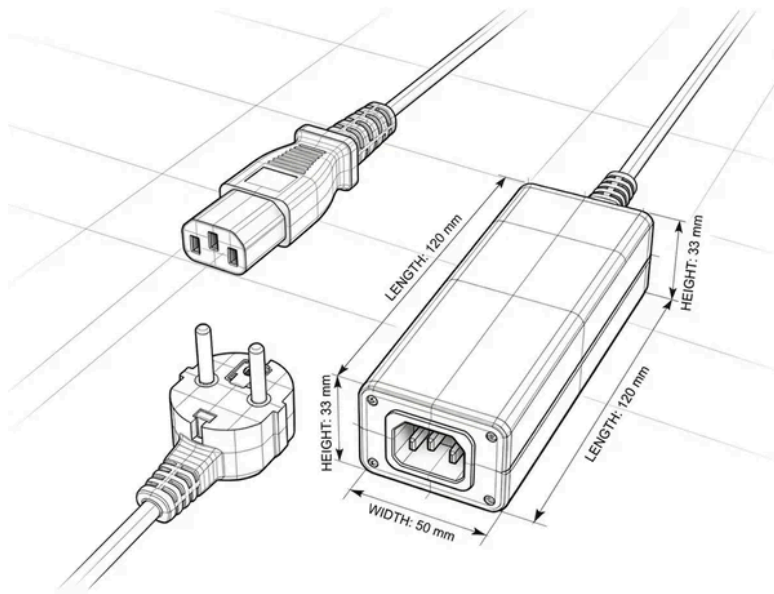
ORDER DETAILS

Function: Input: 100-240V AC, 50Hz, 1.5A max, Output: 12.0V DC, 4A, 48W, IEC C14 inlet, 2-pin pluggable terminal block, overcurrent protection, short-circuit safeguard.

SKU/Order No.: SA-PD-12-04-P-00



Mechanical Dimensions



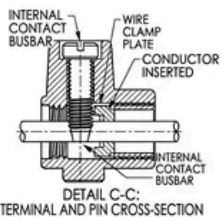
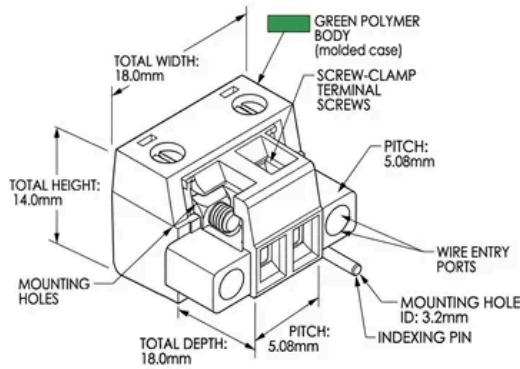
Drawings



FIGURE 1: PHOTOREALISTIC VIEW



FIGURE 2: ORTHOGRAPHIC VIEW (thumbnails)



DO NOT SCALE DRAWING

Technical Data

Input Data

Input Voltage Range AC	100-240V AC
Input Current (typ.)	1.5A (max.)

Output Data

Output Voltage	12V DC
Output Current	4A
Power Output	48W

Protection Circuit

Overcurrent Protection	Yes
DC OK Signalling	Yes
Overvoltage protection	Yes
Short Circuit Protection	Yes

Ambient Condition

Operating Altitude (max. above sea level)	3000 m
Operating Humidity (non-condensing)	10% to 90% RH
Storage Humidity (non-condensing)	5% to 95% RH
Ambient Temperature (operating)	0°C to +50°C
Ambient Temperature (storage/transport)	-20°C to +70°C

Commercial Data

GTIN	
Customs Tariff Number	85044090

Dimensions

Depth (mm)	34
Height (mm)	53
Width (mm)	135

Mechanical Data

Housing	Plastic (Black)
Mounting method	External AC/DC adapter
Weight (typ.)	385 g
Wire Strip Length	1800mm (AC Input to Adapter) + 1150mm (Adapter to DC Output)

Standards and Regulations

In Compliance With	CE, FCC, CCC
--------------------	--------------