

CONTROLLER-IPC-W-M-I3-12-4G-..

High-performance industrial controller for versatile automation applications



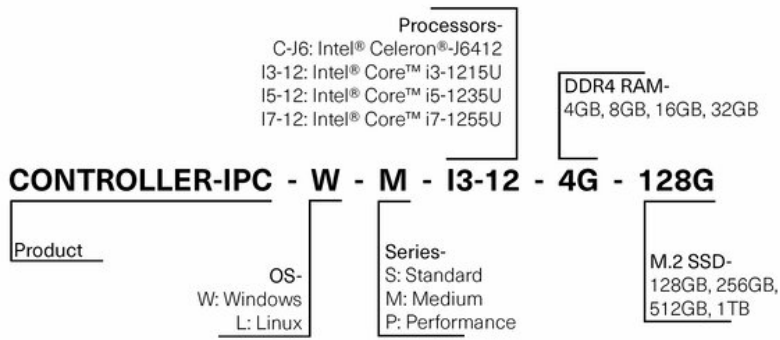
Industrial controller with Intel i3-1215U, 4GB DDR4 RAM, M.2 SSD (128GB, 256GB, 512GB, 1TB), 6x USB, 4x RS232, 2x LAN, 12–36V input, 12-pole terminal for flexible industrial use.

This industrial product is designed for use in a wide range of environments. It offers numerous interfaces and expansion options, allowing integration of various external devices. With support for a wide input voltage range of 12–36V, the device is highly versatile. Its robust aluminum alloy, fanless design, and compact form factor ensure reliability and low power consumption. The controller is ideal for industrial control, military applications, communications, energy supply, and network automation.

Variants:

| Product | SKU |
|----------------------------------|--------------------------|
| CONTROLLER-IPC-W-M-I3-12-4G-128G | SA-IPC-W-M-I3-12-4G-128G |
| CONTROLLER-IPC-W-M-I3-12-4G-256G | SA-IPC-W-M-I3-12-4G-256G |
| CONTROLLER-IPC-W-M-I3-12-4G-512G | SA-IPC-W-M-I3-12-4G-512G |
| CONTROLLER-IPC-W-M-I3-12-4G-1T | SA-IPC-W-M-I3-12-4G-1T |

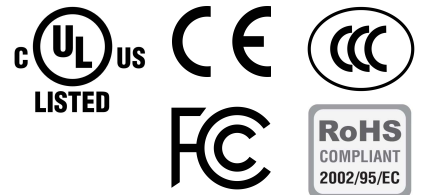
Nomenclature:



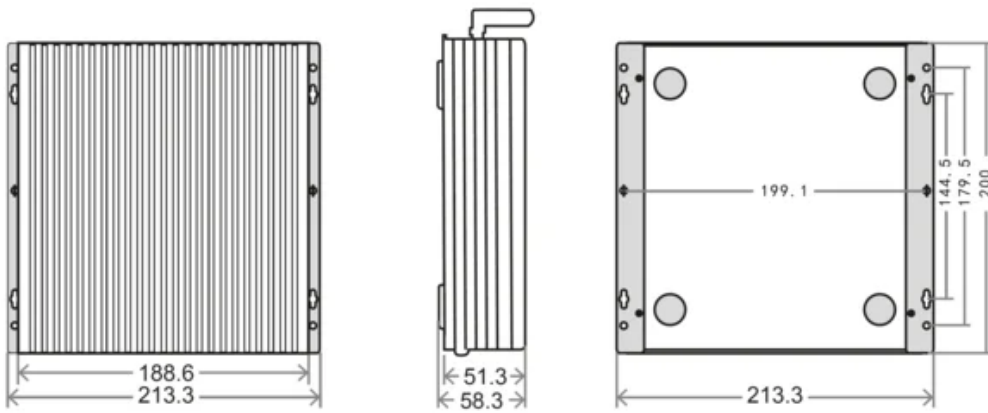
ORDER DETAILS

Function: Data acquisition, process control, machine automation, real-time monitoring, serial communication, network connectivity, flexible power supply, digital/analog I/O control.

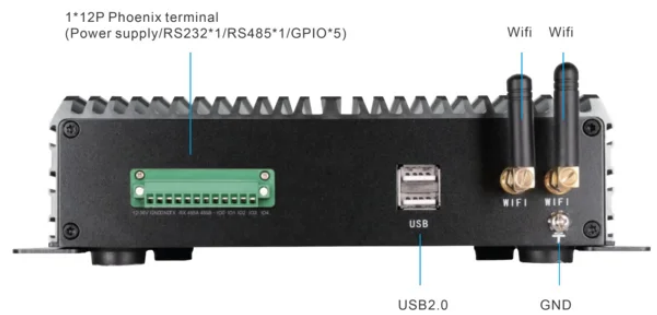
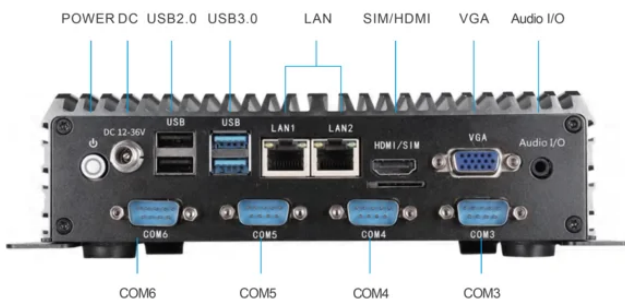
SKU/Order No.: SA-IPC-W-M-I3-12-4G-..



Mechanical Dimensions



Drawings



Desktop installation



Rack-mounted

Technical Data

Ambient Condition

| | |
|---|---|
| Ambient Temperature (operating) | -10 °C ... 60 °C |
| Ambient Temperature (storage/transport) | -20 °C ... 70 °C |
| Operating Humidity (non-condensing) | 95 % non condensing |
| Vibration | IEC 60068-2-64, random, 5 ... 500 Hz, 1 hr/axis |
| Impact / Shock | IEC 60068-2-27, half sine wave, duration 11 ms |

Certification

| | |
|---------------|----------------------------|
| Certification | CE / FCC / CB / ROHS / CCC |
|---------------|----------------------------|

Commercial Data

| | |
|-----------------------|----------|
| Customs Tariff Number | 85371091 |
|-----------------------|----------|

Dimensions

| | |
|-------------|-------|
| Depth (mm) | 199.5 |
| Height (mm) | 58.5 |
| Width (mm) | 213.1 |

Interface

| | |
|-----------------|---|
| LAN Ports | 2 x RJ45 (10 M / 100 M / 1000 M) |
| Serial Ports | 4 x COM (default: RS232, optional: RS485) |
| USB Ports | 4 x USB 2.0, 2 x USB 3.0 |
| Power Connector | 1*Threaded DC port (Diameter: 5.5*2.5mm) |
| HDMI | 1 x HDMI, Supporting HDMI data output, up to 4K |
| VGA | 1 x VGA |
| Audio Interface | 1 x Audio I/O, onboard Realtek ALC662 HD |
| Wi-Fi | Support 2.4G / 5G dual-band Wi-Fi |

| | |
|------------------|--|
| Phoenix Terminal | 12-pole screw terminal block (Power supply/1xRS232/1xRS485/5xGPIO) |
| Bluetooth | Bluetooth 4.0(optional) |

Mechanical Data

| | |
|-----------------|---------------------------------------|
| Weight (typ.) | 1.9 kg |
| Cooling Method | passiv |
| Housing | Aluminum alloy |
| Mounting method | Support desktop and rack installation |

System Hardware

| | |
|-----------------|--|
| Memory | 4 GB DDR4 RAM |
| OS Support | WIN11, Ubuntu20.04/22.04/Redhat8.7/Debian12.2/Linux-Mint |
| Processor | Intel Core i3-1215U: 1.2 GHz |
| Storage | M.2 SSD (128GB, 256GB, 512GB, 1TB) |
| Graphics Engine | Intel Iris Xe Graphics 64 |
| Audio Chip | Onboard Realtek ALC662 HD audio decoding controller |
| SIM Card Slot | Yes |

Input Data

| | |
|---------------------------|---------------|
| Nominal Operating Voltage | 12 V ... 36 V |
| Power Consumption (max.) | 55 W |