

CONTROLLER-IPC-W-M-C-J6-8G-..

High-performance industrial controller for versatile automation applications



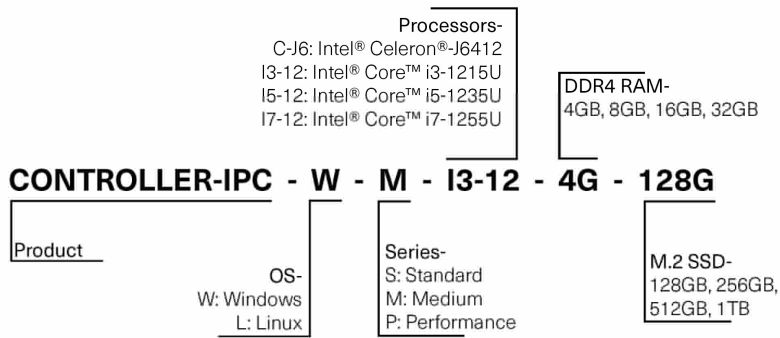
Industrial controller with Intel Celeron J6412, 8GB DDR4 RAM, M.2 SSD (128GB, 256GB, 512GB, 1TB), 6x USB, 4x RS232, 2x LAN, 12–36V input, 12-pole terminal for flexible industrial use.

This industrial product is designed for use in a wide range of environments. It offers numerous interfaces and expansion options, allowing integration of various external devices. With support for a wide input voltage range of 12–36V, the device is highly versatile. Its robust aluminum alloy, fanless design, and compact form factor ensure reliability and low power consumption. The controller is ideal for industrial control, military applications, communications, energy supply, and network automation.

Variants:

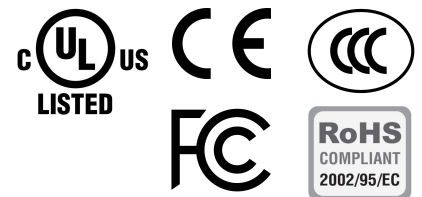
Product	SKU
CONTROLLER-IPC-W-M-C-J6-8G-128G	SA-IPC-W-M-C-J6-8G-128G
CONTROLLER-IPC-W-M-C-J6-8G-256G	SA-IPC-W-M-C-J6-8G-256G
CONTROLLER-IPC-W-M-C-J6-8G-512G	SA-IPC-W-M-C-J6-8G-512G
CONTROLLER-IPC-W-M-C-J6-8G-1T	SA-IPC-W-M-C-J6-8G-1T

Nomenclature:

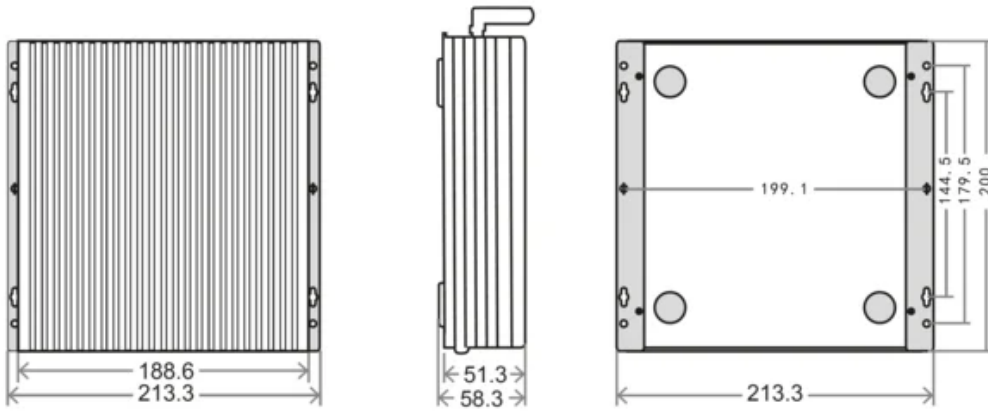


ORDER DETAILS

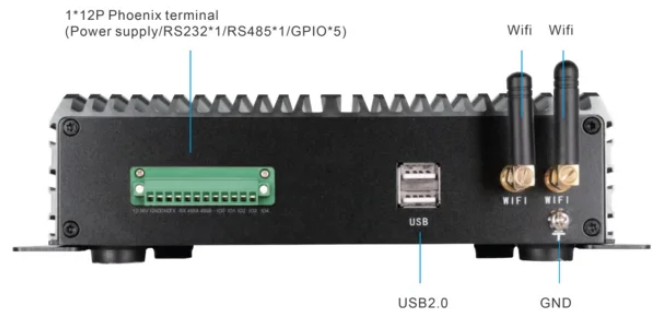
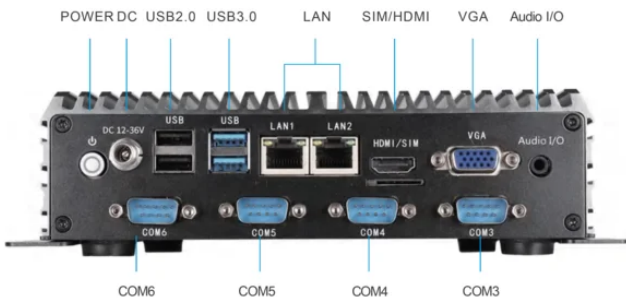
Function: Data acquisition, process control, machine automation, real-time monitoring, serial communication, network connectivity, flexible power supply, digital/analog I/O control.
SKU/Order No.: SA-IPC-W-M-C-J6-8G-..



Mechanical Dimensions



Drawings



Desktop installation



Rack-mounted

Technical Data

Ambient Condition

Ambient Temperature (operating)	-10 °C ... 60 °C
Ambient Temperature (storage/transport)	-20 °C ... 70 °C
Operating Humidity (non-condensing)	95 % non condensing
Vibration	IEC 60068-2-64, random, 5 ... 500 Hz, 1 hr/axis
Impact / Shock	IEC 60068-2-27, half sine wave, duration 11 ms

Certification

Certification	CE / FCC / CB / ROHS / CCC
---------------	----------------------------

Commercial Data

Customs Tariff Number	85371091
-----------------------	----------

Dimensions

Depth (mm)	199.5
Height (mm)	58.5
Width (mm)	213.1

Interface

LAN Ports	2 x RJ45 (10 M / 100 M / 1000 M)
Serial Ports	4 x COM (default: RS232, optional: RS485)
USB Ports	4 x USB 2.0, 2 x USB 3.0
HDMI	1 x HDMI, Supporting HDMI data output, up to 4K
VGA	1 x VGA
Power Connector	1*Threaded DC port (Diameter: 5.5*2.5mm)
Audio Interface	1 x Audio I/O, onboard Realtek ALC662 HD
Wi-Fi	Support 2.4G / 5G dual-band Wi-Fi

Phoenix Terminal	12-pole screw terminal block (Power supply/1xRS232/1xRS485/5xGPIO)
Bluetooth	Bluetooth 4.0 (optional)

Mechanical Data

Weight (typ.)	1.9 kg
Housing	Aluminum alloy
Cooling Method	passiv
Mounting method	Support desktop and rack installation

System Hardware

Memory	8 GB DDR4 RAM
OS Support	WIN11, Ubuntu/Centos7.8/8.4/7.9/Redhat7.4/Debian10.0/11.6
Processor	Intel Celeron J6412, 4 cores/4 wires, frequency 2.00 GHz (Maximum RF: 2.7GHz)
Storage	M.2 SSD (128GB, 256GB, 512GB, 1TB)
Graphics Engine	Intel UHD Graphics 16 EUs
SIM Card Slot	Yes

Input Data

Nominal Operating Voltage	12 V ... 36 V
Power Consumption (max.)	55 W