

EDGE IPC UNO-127 4GB PURE

Ultra-Compact Fanless Embedded PC with mini PCIe



Compact, Fan-less Edge Controller with Intel® Atom® Processor, with WIN10, 64GB eMMC, 2 x LAN, 2 x USB, and 1 x HDMI

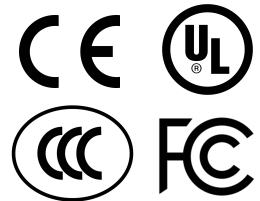
UNO series of integrated DIN-rail IPCs feature a modular design for flexible configuration according to specific usage requirements.

The UNO-AT model is equipped with an Intel® Atom® x6413E processor, initially installed WIN10, 4 GB DDR4 RAM, 64 GB eMMC storage, 256 GB SSD, 2 x LAN, 2 x USB, and 1 x HDMI, as well as 1 x full-size mini PCIe for expansion. IEC 61010-1 certified for industrial use, UNO-127 can also be equipped with an optional second-stack extension kit that supports an additional 4 x COM ports and 1 x M.2 B key for extending the system I/O and wireless connectivity capabilities.

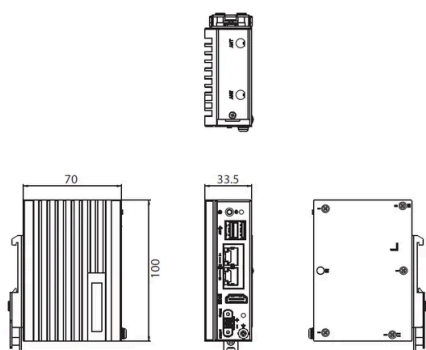
ORDER DETAILS

Function: Intel® Atom® x6413E processor, WIN10, 4 GB DDR4 RAM, 64 GB eMMC storage, 256 GB SSD, 2 x LAN, 2 x USB, and 1 x HDMI, 1 x full-size mini PCIe

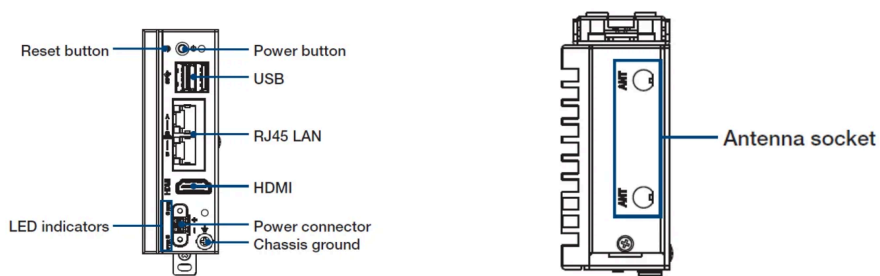
SKU/Order No.: SA-UNO-127-E22BA (4GB)



Mechanical Dimensions



Drawings



Technical Data

System Hardware

BIOS	AMI EFI X64
Watchdog Timer	Programmable 255 levels timer interval, from 1 to 255 sec
Processor	Intel® Atom™ x6413E Quad core, 1.5 GHz
Memory	DDR4 2666MHz, 4GB
Ethernet	2 x Intel® i210-IT GbE, 802.1Qav, IEEE1588/802.1AS, 802.3az
Expansion	1 x Full-size mPCIe (PCIe / USB 2.0 / SATA signal)
OS Support	Windows10 LTSC (Default), Windows 11, Ubuntu 20.04, Ubuntu Core 20

Interface

LED Panel	LEDs for Power, Run(Programmable), LAN (LINK, ACT)
LAN Ports	2 x RJ45, 10/100/1000 Mbps 1x EtherCAT Slice IO (right side expansion)
USB Ports	2 x USB ports (USB 3.2 compliant)
Display	1 x HDMI, support up to 1920 x 1080 @60Hz
Grounding Protection	Chassis grounding

Input Data

Power Consumption (max.)	15.8W (Typical), 35W (max.)
Input Voltage Range DC	10 ... 30 VDC

Mechanical Data

Housing	Aluminum housing
Mounting DIN Rail according EN 60715	DIN-rail
Weight (typ.)	Approx. 0.5kg

Dimensions

Width (mm)	33.5 mm
Height (mm)	100 mm

Depth (mm)	70 mm
------------	-------

Certification

Certification	CE, FCC, UL, BSMI, CCC
---------------	------------------------

Ambient Condition

Ambient Temperature (operating)	-20 ... 60°C (-4 ... 140°F) @ 5 ~ 85% RH with 0.7 m/s airflow
Ambient Temperature (storage/transport)	-40 ... 85°C (-40 ... 185°F)
Operating Humidity (non-condensing)	10 ... 95% RH @ 40°C
Storage Humidity (non-condensing)	10 ... 95% RH @ 60°C

Standards and Regulations

Shock Test	Operating, IEC 60068-2-27, 50G, half sine, 11 ms
Vibration	Operating, IEC 60068-2-64, 2 Grms, random, 5 ~ 500 Hz, 1hr/axis (eMMC)

Commercial Data

Customs Tariff Number	85371091
-----------------------	----------